



Buy it for looks. Buy it for life.®

Specifications

DESCRIPTION

- Brass construction
- 1/2" PEX connections
- Pressure balancing, four port, cycle valve

OPERATION

- Adjustable temperature limit stop to control maximum hot water temperature
- Pressure balancing mechanism maintain selected discharge temperature to $\pm 3^\circ\text{F}$

CARTRIDGE

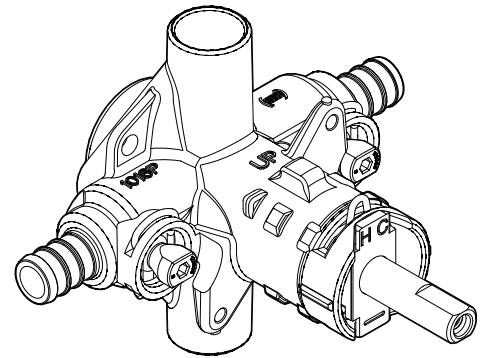
- 1222 cartridge design
- Nonmetallic/nonferrous and stainless steel materials
- Accommodates back to back installations

STANDARDS

- Third party certified to meet CSA B125.1, ASSE 1016, CSA B-137.5, ASTM F1807, ASME A112.18.1, and all applicable requirements referenced therein
- Moen's Posi-Temp® and Moentrol® valves with graphite composite spools combined with Moen's Eco-performance showerheads meet the performance requirements of pressure and temperature variation of ASSE1016 when tested as low as 1.5 gpm

WARRANTY

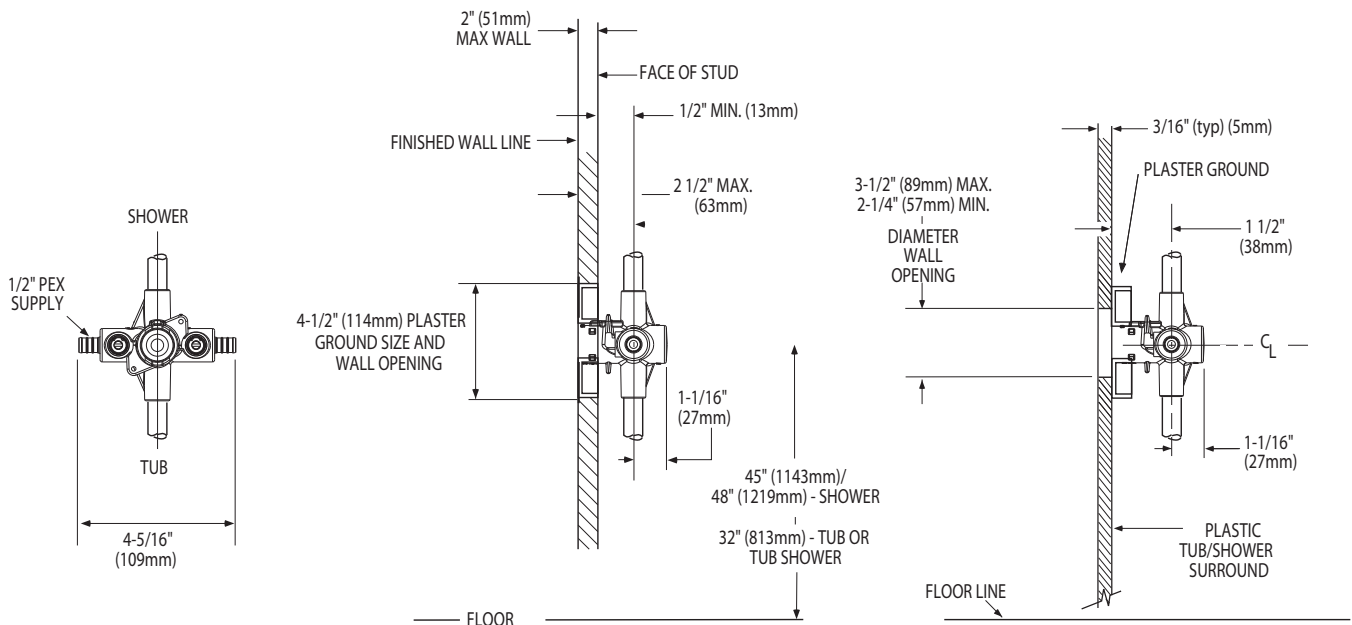
- Lifetime limited warranty against leaks, drips and finish defects to the original consumer purchaser
- 5 year warranty if used in commercial installations



M-PACT POSI-TEMP® VALVE Pressure-Balancing Valve with 1/4 Turn Stops

Model: 62360 -Bulk Pack

(Bulk packed 12 per carton)



CRITICAL DIMENSIONS

(DO NOT SCALE)